



## Your Universal Trailer for Weather-Resistant Freight

### S.PR BAU Platform Semi-trailers



Removable dropsides and stanchions enable easy conversion into a flatbed.



Safe access to the loading surface via steps on the tailgate.



Telescoping warning signs at the front and rear for wide loads are a standard feature.



The dropsides can be stowed in a special pallet box.

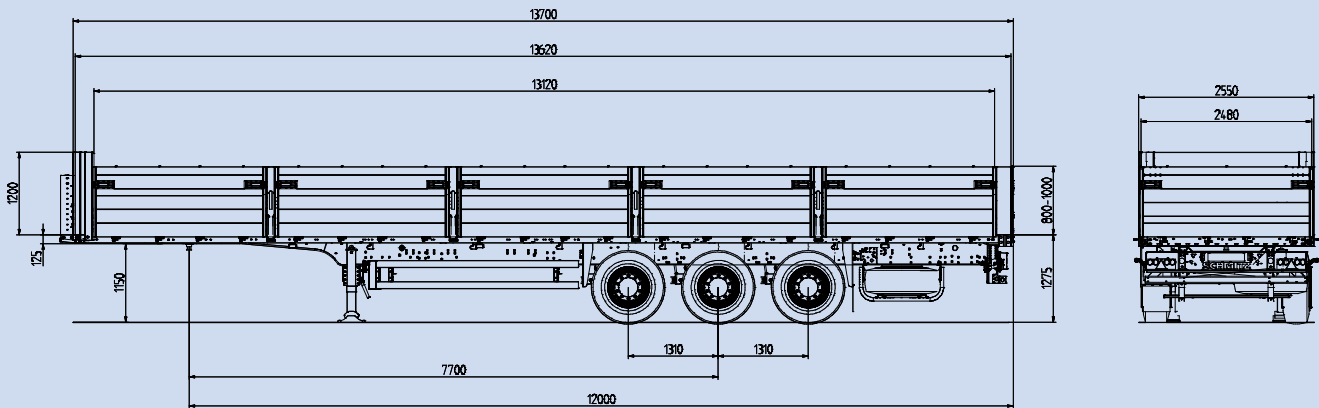
### Requirements

In construction transport, high availability despite heavy duty usage and flexibility for a broad range of freights play a major role. Load securing and flexibility are essential for curtainsiders.

The reinforced frame and the leak-tight, easily removable dropsides make the S.PR Bau platform semi-trailers robust, universal vehicles for your building materials transport business and any freight that does not require protection against weather conditions. Additional stanchion pockets allow you to secure loads with special load securing requirements flexibly, easily and rapidly.

### Your Benefits

- Broad range of applications as a flatbed and platform vehicle
- Reinforced, torsion-resistant frame capable of bearing large point loads
- Robust plywood floor for up to 8 t stacker axle load
- Removable dropsides and stanchions enable easy conversion into a flatbed.
- All dropsides and removable middle stanchions, along with the corner stanchions and the tailgate, can be quickly and safely stored in the pallet boxes, increasing the longevity of the body.
- Additional stanchion pockets provide a flexible solution for different loading situations



## Your Universal Trailer for Weather-Resistant Freight

### S.PR BAU Platform Semi-trailers

#### Technical Specifications

Axles	3x9,000 kg
Track/spring centre	2,040/1,300 mm
Disc brakes	Ø 430 mm
Axle spacing	1,310/1,310 mm
Wheelbase	7,700 mm
Tyres	385/65 R 22.5"
Fifth wheel load	12,000/15,000 kg
Aggregate load (technical)	24,000/27,000 kg
Gross vehicle weight (technical)***	36,000/39,000 kg
Unladen weight*	6,194 kg
Payload (technical)	29,184/32,185 kg
Overall width	2,550 mm
Internal body length	13,620 mm
Internal body width	2,480 mm
Frame height front/rear	125/396 + 28 mm
Fifth wheel height (loaded***)	1,160 mm
Rear loading height (loaded**)	1,240 mm
Dropsides and tailgate	820/1020 mm
Bulkhead	1,200/2,400 mm

\* Unladen weight with spare wheel well and without additional fittings

\*\* Other body heights are possible with different fifth wheel heights

\*\*\* Country specific variations are possible

All dimensions and weights are given approximately! Specifications relate to a standard vehicle without consideration for any possible additional equipment. We retain the right to make changes for technical reasons. Version: March 2016

#### Equipment

**Body:** 4-section body, certified in accordance with DIN EN 12642 Code XL.

**Chassis:** Reinforced, torsion-resistant frame capable of bearing large point loads.

**Axle unit:** ROTOS running gear with SCB 3 x 9t axle, 430mm disc brake, MRH pneumatic suspension.

**Brakes:** EBS 2S/2M with RSP (Roll Stability Program), lifting and lowering device with AUTO-RESET function.

**Dropsides:** 820mm or optional 1,020mm high removable dropsides made of aluminium. The dropsides connect flush with the stanchions and are secured by inlet locking devices.

**Stanchions:** Steel middle stanchions and corner stanchions. Removable middle stanchions and rear corner stanchions, fixed front corner stanchions.

**Load securing:** Flexible load securing system, certified to DIN EN 12642. Additional 8 rows of stanchion pockets transverse to the driving direction enable the stanchions and load securing straps to be used flexibly.

**Pallet box:** The dropsides, removable middle stanchions and corner stanchions can be stored in a protected location.

**Floor:** Plywood floor for up to 8t stacker axle load.

**Accessories:** Extendable, illuminated warning sign on the side and rotating flashing beacon for extra-wide loads.

Trailer

Services

Technology

just more.